

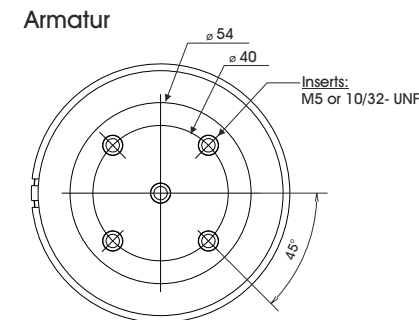
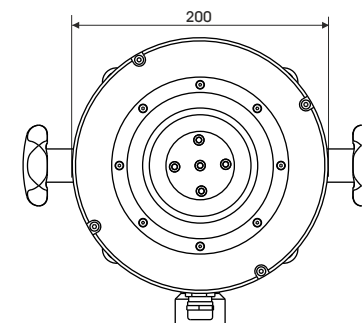
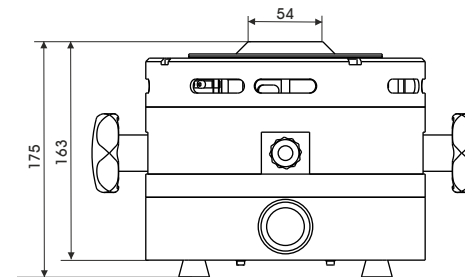
TECHNICAL PARAMETERS Vibration exciter S 51140-C

Rated peak force Sine _{pk} /Random _{RMS} ¹	400/200 N
Frequency range	10 - 20000 Hz
Main resonance frequency	> 19000 Hz
Max. displacement Peak-Peak ²	4 mm
Max. velocity	1.2 m/s
Max. acceleration Sine/Random	68/34 g
Effective moving mass	0.6 kg
Total mass	21 kg
Armature diameter	54 mm

1) Random force according to ISO 5344:2004

2) Payload has an impact on the possible maximum displacement

For long-term tests, the load must be reduced to 80 %. Continuous operation at maximum load can cause damage.



SCOPE OF DELIVERY, OPTIONS AND FEATURES OF THE SYSTEM

Scope of delivery:

- Vibration exciter 400 N
- Trunnion mount
- Power amplifier 1200 VA
- Cooling blower
- Connection cable (5 m)
- Power cable amplifier (1.5 m)
- Blower hose ø40 mm (3 m)

Options:

- Different thread inserts of armature at customers request
- Rack for mounting the amplifier
- Degauss kit to reduce stray magnetic field
- Silencer for cooling blower (Noise reduction up to 8 dB(A))
- Acoustic enclosure for cooling blower (Noise reduction 15 - 23 dB(A))
- Cable extension
- Factory acceptance test

Features:

- Vibration isolation
- Coarse filter unit
- High cross-axial stiffness
- Vibration system made of ceramic material
- Minimum maintenance effort
- Made in Germany
- Servicehotline

TECHNICAL PARAMETERS Amplifier BAA 1000

Output power _{RMS}	1200 VA
Frequency range	DC - 20 kHz
Voltage-/Current mode	yes/yes
Voltage _{RMS} max.	72 V
Current _{RMS} max.	18 A
Signal input voltage _{RMS}	< 5 V
Distortion	< 0.1 %
Signal to noise ratio	> 90 dB
Total mass	35 kg
Dimensions (WxHxD)	483 x 146 x 585 mm
Power supply (Standard)	1 ~ / N / PE 230 V±5% 50 Hz, CEE 7/7
Recommended fuse protection (Standard)	16 A slow
Max. power consumption at 230 V	2.7 kVA
Interlocks:	Overload, temperature, clipping

Features:

High Signal to noise ratio of >90 dB

TECHNICAL PARAMETERS Cooling blower TB 0140

Volume flow rate	max. 140 m ³ /h
Total pressure difference	max. 150 mbar
Power	1.1 kW
Frequency	50 Hz
Hose diameter	40 mm
Hose length (Std.)	3 m
Total mass	16 kg
Dimensions (WxHxD)	286 x 302 x 292 mm
Sound pressure level, max.	max. 63 dB(A)
Power supply (Standard)	1 ~ / N / PE 230 V±5% 50 Hz, CEE 7/7
Max. current consumption at 400 V	7.3 A

Options:

Silencer (Noise reduction up to 8 dB(A))

Dimensions (LxD): 308 x 82 mm

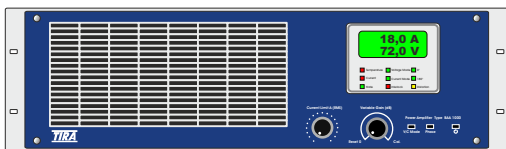
Mass: 0.2 kg

Acoustic enclosure (Noise reduction 15 - 23 dB(A))

Dimensions (WxHxD): 860 x 760 x 650 mm

Mass: 45 kg

Hose length according to customers request (up to 10 m)



Cooling blower TB 0140



Silencer TB 0140-SI
(optional)



Acoustic enclosure TB 0140-AE
(optional)