

**Infrared Modules for
Industrial Process Technology**

NobleLight



Excelitas

The Precise Application of Heat



Contents

The Best Form of Energy

Noblelight Infrared modules from Excelitas deliver thermal energy in a practical form. This simplifies and accelerates operating stages, optimises energy usage and results in an exceptional finished product.

Whether they are large heating fields, tunnels, ovens or individual modules, our modular infrared systems are always precisely matched to your processes and materials. As a result, the infrared heat can be supplied in the right amounts, exactly where it is required.

Intelligent Heat for Your Processes

Infrared heat is intelligent heat; because it heats the material precisely and efficiently. Noblelight infrared modules from Excelitas are supplied ready-to-fit and can be integrated directly into the production process. Our infrared modules can be supplied with matching control units and housings. As such, they offer the ideal solutions for industrial heating processes.

Your Partner for Innovative Solutions

Our speciality? Problem solving. Thanks to our many years of experience, we can always provide professional and practical support, whatever your application. We can help you to optimise your processes through efficiency gains and minimise running costs with the introduction of infrared emitters. Solutions range from a simple module through to a purpose built system with control. The investment in a Heraeus infrared module is an investment in your future, which you can make today.



Noblelight Infrared Modules
A Subbrand of Excelitas Technologies



M - Simply Constructed Modules

4



MX - Scalable Modules

6



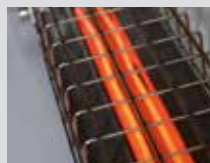
MX - Advanced Modules

10



Control and Regulation

12



Accessories

14

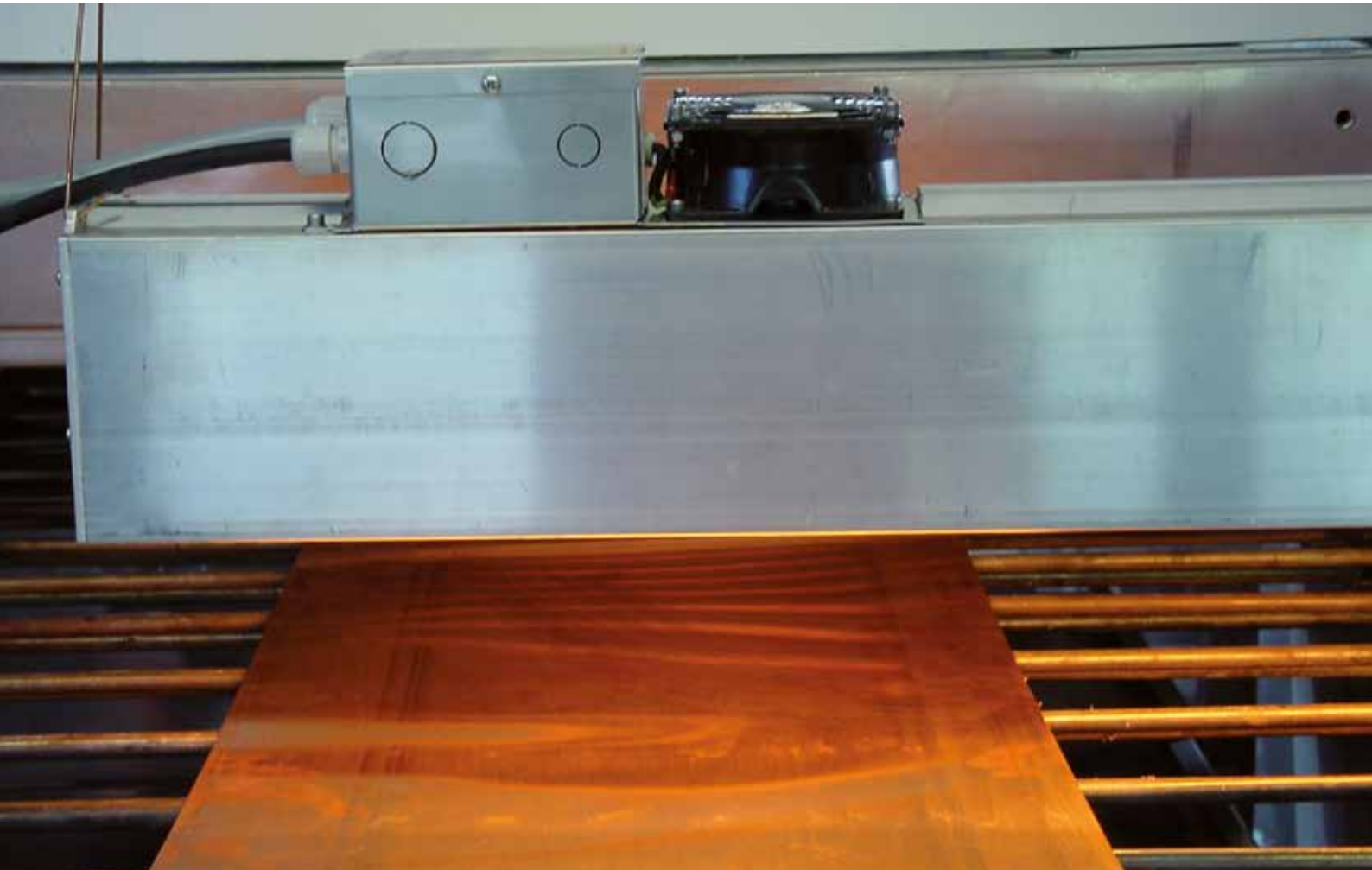


Application Center

15

M - Simply constructed modules

Infrared, ready-to-use at the point-of-use



Ready-to-use

The modules of the M series contain one or more infrared emitters. Assembled ready for installation in a suitable housing including all the necessary electrical connections.

This makes the M-series heating modules very quick and easy to install and use. Several modules can be combined for larger heating panels.

The M-series modules can be easily retrofitted in existing systems and are extremely cost-efficient, not least due to their long service life.

M 85

The M 85 is our simplest design of infrared module. It consists of an infrared emitter and an associated heat-reflector plate and holder.

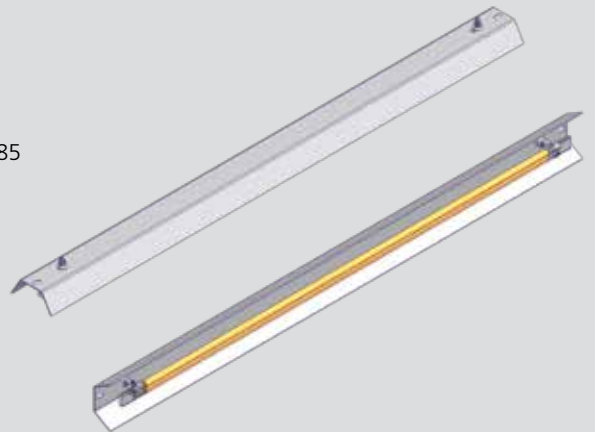
M 110

The Module M 110 consists of one or more emitters and the necessary ventilation. It can be installed where heat has to be applied rapidly and directly. The M 110 uses standard components and can be quickly produced and supplied.

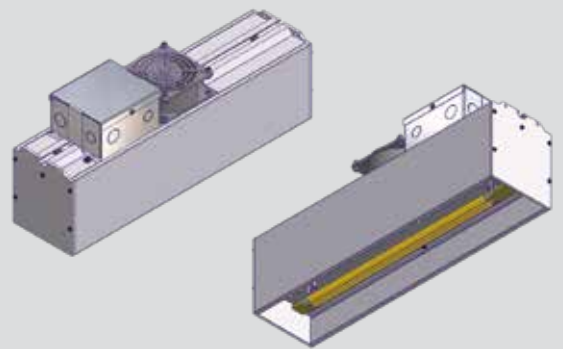
M 115

The M 115 module consists of either one or two length-adjusted infrared emitters and a ventilation system. Pyrometers, temperature switches and temperature fuses can also be integrated.

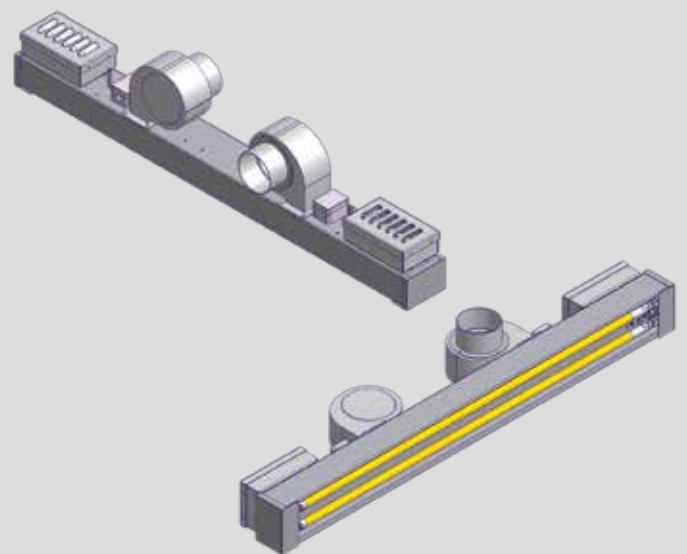
M 85



M 110



M 115



MX - Scalable Modules Complete Solution System



The MX module with its integrated control unit represents a system solution for the total heating process. Each module is optimized in size and wavelength to deliver energy effectively and efficiently at the surface to be heated.

In addition we supply complete control systems to allow the power of the module to be regulated to suit the running conditions of the line.

As Diverse as your Applications

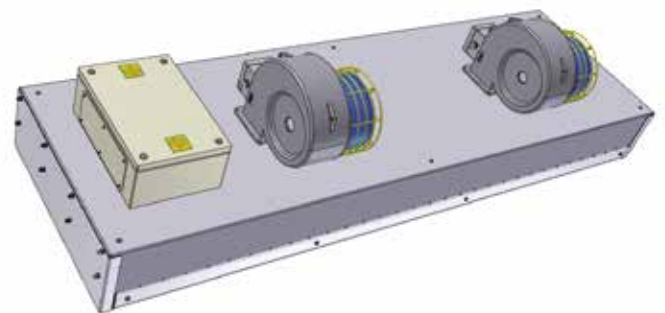
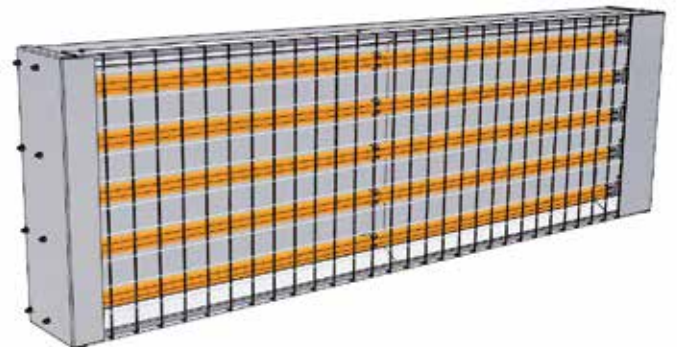
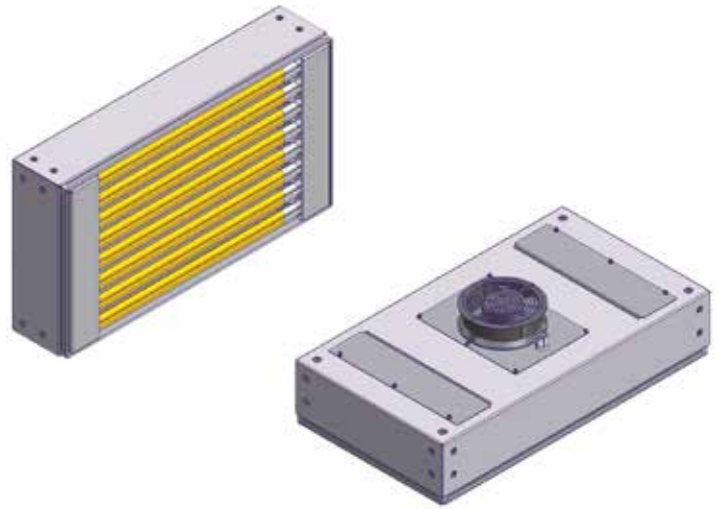
Heating solutions with scalable infrared modules find applications in virtually all industrial sectors. Even though there are so many problems to be solved, one solution is constant: We shall always help you to find the best possible infrared solution to meet your requirements.

You Eat with your Eyes, An Example in the Food Sector

A delicious hamburger? Or a superb dessert? Chocolate with just the right taste? No matter what your preference, it is possible that its appetizing appearance owes much to an infrared module. Many ready meals owe their attractive presentation to infrared, which browns the topping prior to packaging. The sugar on crème brûlée is glazed. Chocolate cup halves are melted and then quickly joined together. Modern food production is scarcely conceivable without infrared.

An Example: High quality plastics materials

Plastic materials can be coated, embossed, stretched or shrunk – and you need heat for all these processes. Infrared modules can heat significantly faster and more efficiently than conventional heating sources. You save energy, space and maintenance costs. And improve productivity.



Plastics require very exact temperature profiles during production to achieve their high quality look. These temperature profiles are provided by MX infrared modules.



Convertible car hoods last longer if they are pre-treated with precisely matched infrared.

**As versatile as the Applications of Our Customers.
Applications in Automotive Manufacture.**

Whether it's engine blocks, filter housings, mirrors or carpets: in the manufacture of a motor car, there is scarcely a component which does not come into contact with infrared during its production. For these components are coated, welded, dried, hardened and activated. Due to its versatility, infrared heat is used in the most diverse of processes in the automotive sector. At the last count, it was over 200 different uses of infrared in this market. And new applications arise every day. Infrared modules are suited perfectly to the highly specialized processes in the automotive sector. As a result they allow car manufacturers and their suppliers to carry out efficient production and to achieve a competitive edge.

An Example in Glass Manufacture.

More and more processes in glass manufacture are enjoying the advantages of infrared modules. Whether it's the drying of coatings, glass cutting or mirror backing, the precise control of infrared emitters allows exact temperature profiling. An example is the use of infrared when cutting laminated glass. Infrared is used to heat and melt the plastic layer without heating the total glass plate.

Custom-built Applications:

An Example in Plastics

Whether it's contact-free welding, laminating, precise fixing or embossing of plastics, infrared modules help to increase production speed, whilst improving quality and productivity.

Faster Processing, Layer for Layer

An Example in Lacquer Drying

In the treatment of wood for furniture or metal strips for machine parts, different coatings are applied. Whether it is in the staining of wood or in coating of steel, drying can be achieved faster and more efficiently with infrared modules than with conventional methods. The material and the local environment remain cooler and temperature sensitive products are not over-heated. The result: better quality and faster processing.



Curing of coatings on glass bottles



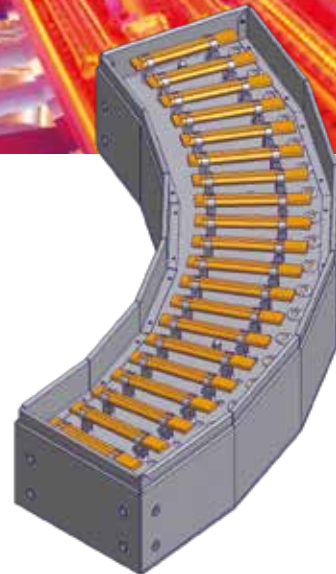
Embossing of plastics flooring



MX - Advanced Modules Developed for you



Heat as an intelligent solution to your problem. This is our task at Excelitas. With our years of experience and our know-how we are able to develop tailor-made system solutions which precisely meet your requirements. We can call on our comprehensive databank containing over 3000 successful infrared test reports. In addition, in our application centers around the world we can determine the optimum solution to your heating requirements.



Cables, fibres or wires are efficiently heated in a tube oven.

Excelitas - Your Partner

At Excelitas, we think in solutions, that are practical for you. You tell us your requirements, we develop your individual system, working in close co-operation with you.

First of all we evaluate your requirements and then select the infrared emitters which are most suitable in terms of output, voltage and wavelength.

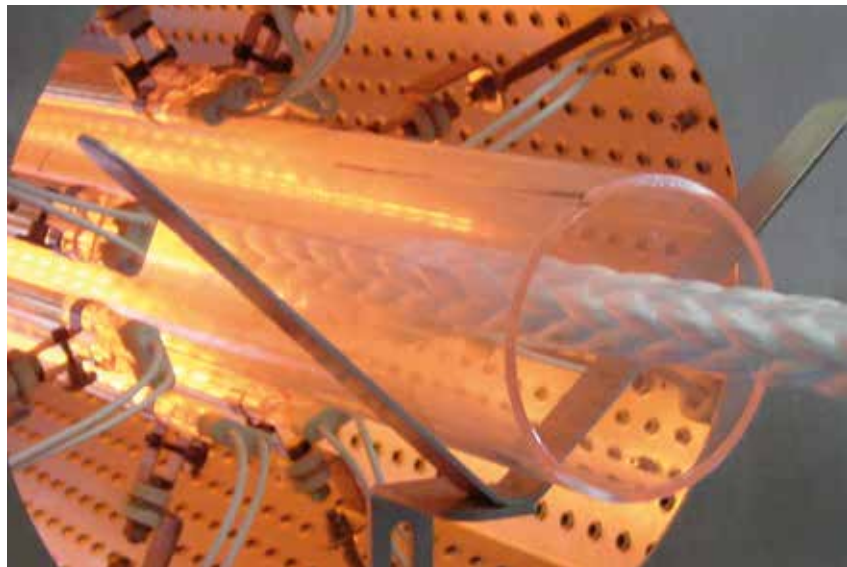
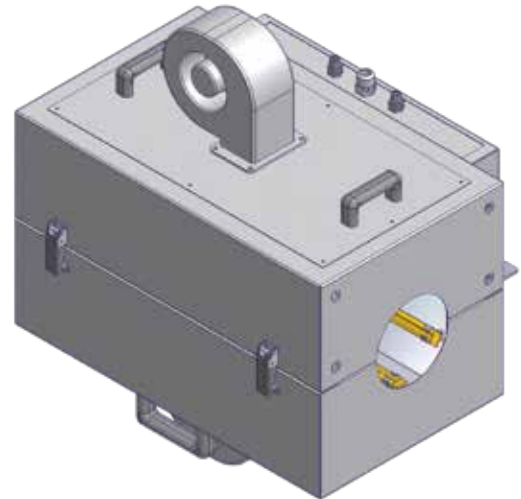
The result: the best possible utilisation of the potential of our emitters – for an optimisation of your work flow.

Heating Technology for the Most Exacting of Demands

We work closely with you during the complete process, no matter where in the world you are. You can send us information in a variety of data formats – in CAD data in STEP-, IGES-, DWG- and DXF-formats. The result: Short project times with conclusions which are matched to your requirements and, in the long term, ensure your competitive edge.

Innovative Solutions for Maximum Precision

One thing is common to all modules: They are all optimally matched to the relevant process and they all generate heat precisely where it is required. There is nothing which does this as efficiently.



Control and Regulation

To meet all demands



Your process goal is clearly set out at the planning stage. At the same time, small details are also important to ensure that your infrared system matches the application perfectly. If we know your application, then we can provide you with the optimum emitter, the most suitable IR module and the correct control system.

From simple regulators to complex, fully integrated, SPSbased automated solutions. In all power ranges, our control systems optimise the results of your infrared emitters.

Your Benefits

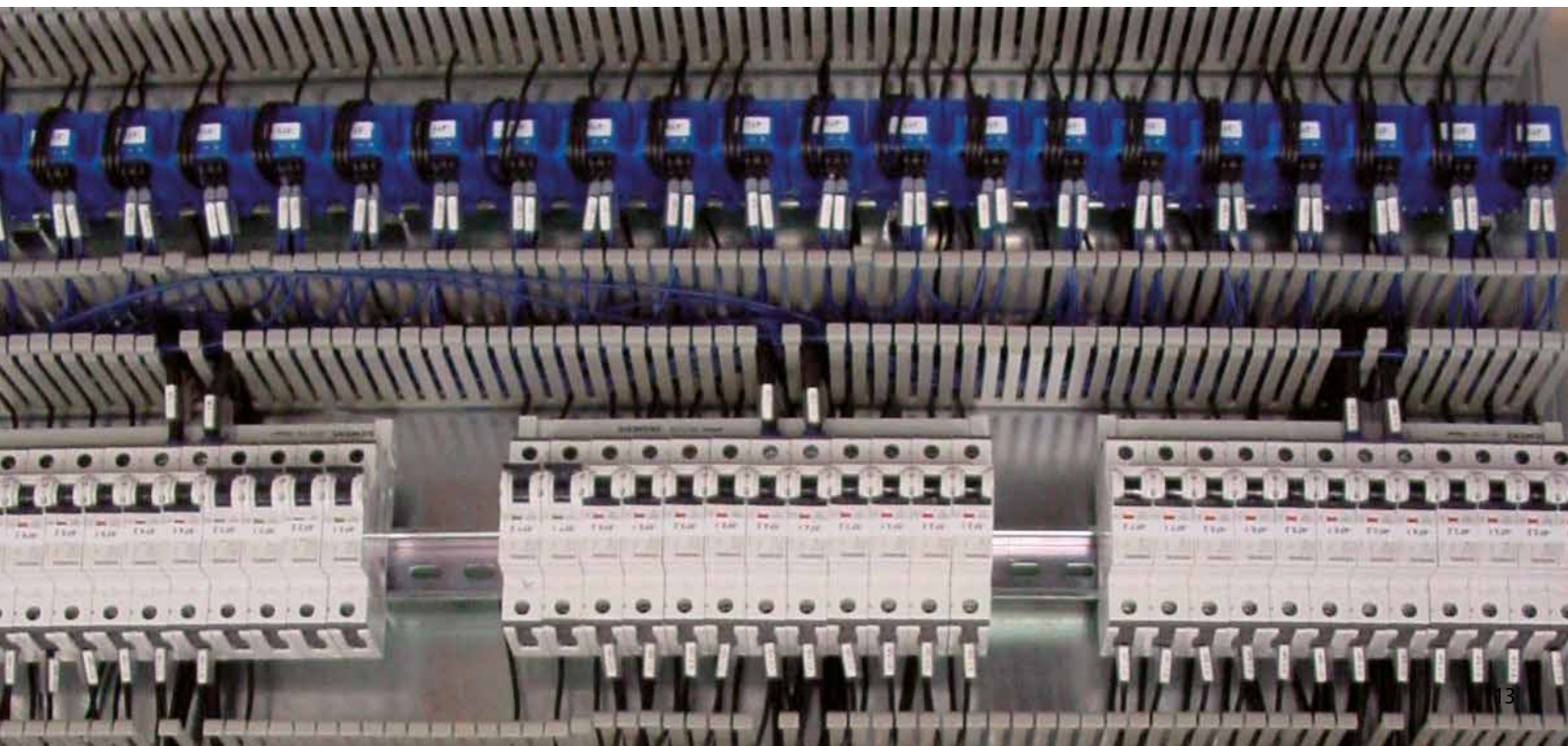
- Infinitely variable power output setting, with zero wear, low loss semi-conductor power boards.
- Power-setting methods matched to your process.
- Nominal value setting for the infrared output by potentiometers, regulators or external signals.
- Interface points with the control can be classical contacts, analog signals or through modern fieldbus systems.
- A robust housing, suitable for harsh industrial applications, with high protection and electrical safety.
- Contact breakers or fuses protect emitter connections with small, easily manageable power cross-sections.
- An emergency stop for isolating the load from the mains supply in the event of emergency.

- The failure of an emitter, a load fuse, a load board or a load voltage can be identified and reported.
- Control and monitoring, including automatic control of module ventilation and temperature monitoring of the infrared emitter module.
- Industry-standard regulators, which are flexibly configurable, with display of nominal and actual values, timers, program indicator, ramp function, limit function PID self-optimization and manual/automatic test.



Naturally, you will receive detailed documentation, which comprehensively describes the complete infrared system. This helps to simplify the installation and the integration into your total system.

Details of further equipment can be obtained on request.



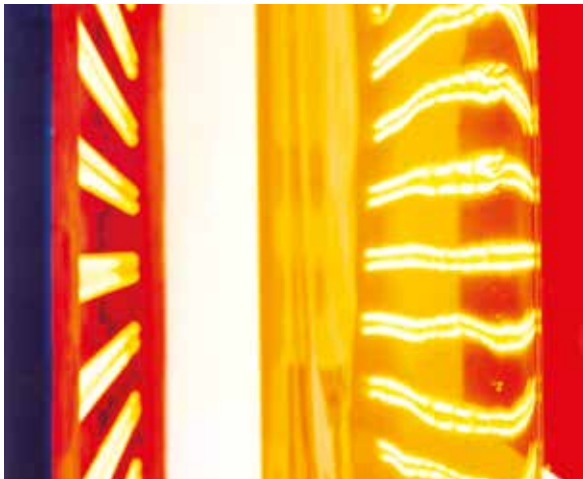
Accessories

Quality right to the smallest detail

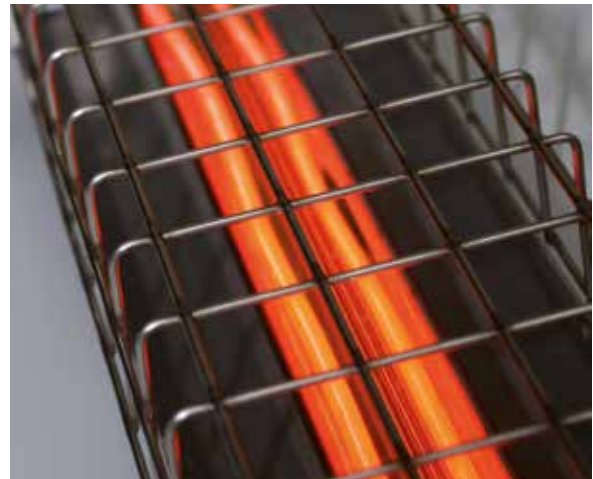
Safe is sure. And for this reason we do not only demand the highest specifications of our emitters, we also expect the highest quality from our accessories.

All materials that we use at Heraeus, are continuously checked in extensive tests to ensure that they meet our strict criteria. This ensures that we can meet your most stringent demands and can supply the most suitable of accessories. When all components in the system are perfectly matched, only then can an infrared module support your process in the best way possible.

Ask us. We would be pleased to advise you!



A wavelength converter takes in radiation, which is transmitted through transparent materials, and then re-emits it onto the material at a different wavelength. This can increase the energy output significantly.



Infrared Emitters IP 65 are protected against dust and spray. A sealing system allows the use of infrared systems for outdoor heating processes. The electrical connectors for such emitters are fed into the connection box via a special seal. This system conforms with VDE 0710 DIN40050, relating to IP 65.

Application Center

Innovation from tradition



Excelitas Noblelight has been producing heat that can be used by the industrial and scientific sectors for many years. With our intelligent infrared heating technology we have been able to provide our customers with a competitive advantage. Innovations are today, without doubt, a key factor in any company's success. That is why, we continuously expand our product portfolio and our range of services with new ideas and well thoughtout concepts. These enable our customers to meet the challenges of today and the requirements of tomorrow.

The Point where Theory and Practice Meet.

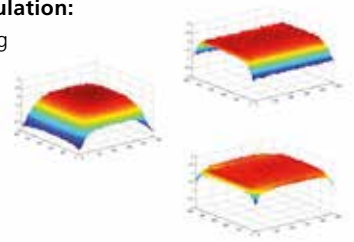
In close contact with our customers and leading research organisations we continue to open up new applications for productive heat. At the same time we offer the capability for carrying out practical tests in our application center or even on site at customer locations carried out by qualified technical personnel. For this, we can hire out equipment consisting of complete infrared modules with the necessary electrical control equipment. Our sales engineers can work directly with you to find the best type of emitter and the best configuration for particular applications. As a result we can determine the heating process which most precisely and efficiently meets your requirements.

CAE simulation instead of trial and error

In the modern process development methodology, Numerical simulation tools (Computer-Aided-Engineering CAE) have become a key factor in the virtual analysis and optimization of highly competitive and advanced systems. Their use has enabled the manufacturers to reduce development costs and time while improving the safety, comfort, and durability of the goods they produce.

Your benefits from CAE simulation:

- Optimizes infrared heating processes
- Avoids expensive trial and error
- Increases energy efficiency
- Reduces development times and costs
- Faster time to market



Global Support

From initial design and manufacture through to installation and commissioning of your modules our qualified personnel are with you at all times to offer advice and support. Whether this is on the telephone or on site.

About Excelitas Technologies

Excelitas is a leading provider of advanced, life-enriching technologies that make a difference, serving global market leaders in the life sciences, advanced industrial, next-generation semiconductor, aerospace and defense end markets. Headquartered in Pittsburgh, PA, USA, Excelitas is an essential partner in the design, development and manufacture of photonic technologies, offering leading-edge innovation in sensing, detection, imaging, optics, and specialty illumination for customers worldwide. Excelitas is at the forefront of addressing many of the relevant megatrends impacting the world today, including precision medicine, industrial automation, artificial intelligence, connected devices (IoT) and military modernization.

Contact us here:

Phone +49 (6023) 405-9600
hng-infrared@excelitas.com
hng-contact@excelitas.com

Visit our website:
www.noblelight.com



www.excelitas.com

For a complete listing of our global offices, visit www.excelitas.com/Locations

©2022 Excelitas Technologies Corp. All rights reserved. Excelitas®, Excelitas Technologies® and the Excelitas logo and design are registered trademarks of Excelitas Technologies Corp. All other products and services are either trademarks or registered trademarks of their respective owners. Excelitas reserves the right to change this document at any time without notice and disclaims liability for editorial, pictorial or typographical errors.

Inhouse XNG 06/25

Stay Connected

